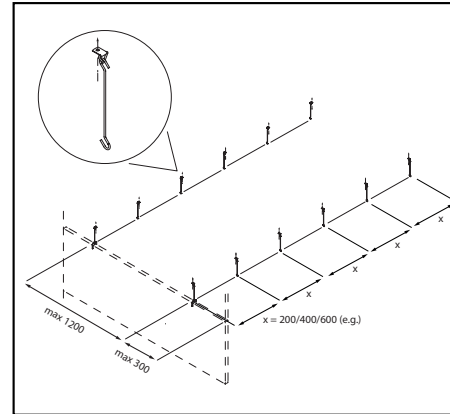


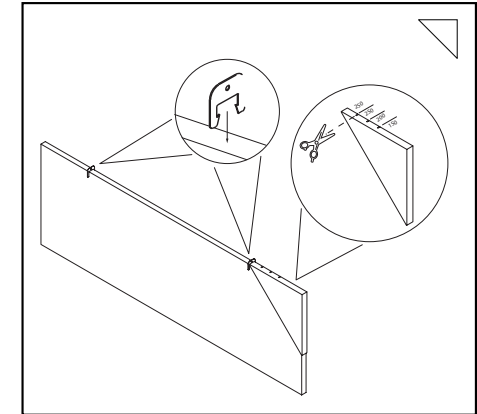


Installation manual Baffle

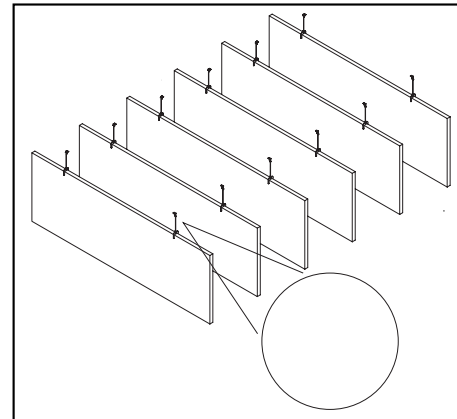
- Suspension by rigid hangers



- 1.** Determine the desired dimensions of the structure using the drawing above, the number of baffles and the desired centre-to-centre distance. Mark out the fixing points on the ceiling and fix the D-rings and rigid hangers here with screws.



- 2.** Shorten the cardboard spacer to the desired size and place it on the corner of a baffle. Press the EASYfelt Baffle clip down over the baffle. Repeat on the other side of the baffle. The baffle clip is easily removed by pressing the baffle in place.



- 3.** Hang the baffles on the rigid hangers.