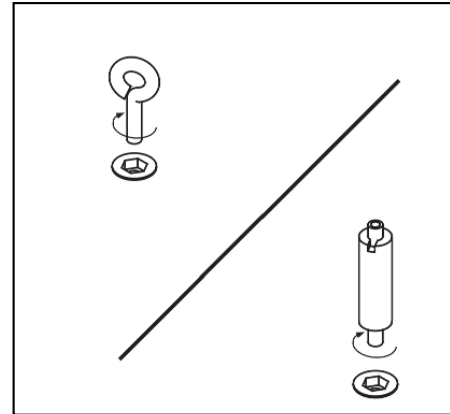
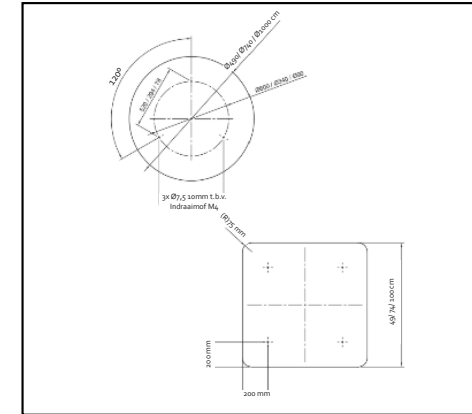




Installation manual Ceiling Island Circle/Square

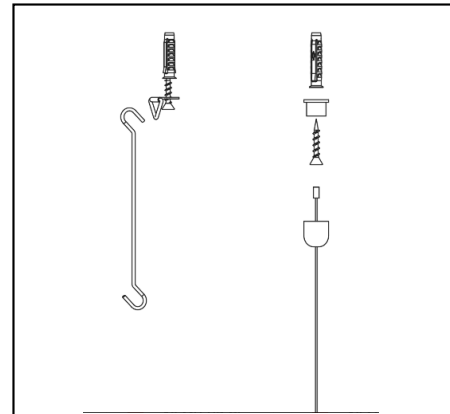


- 1.** Screw the screw eyes or connectors into the ceiling island.

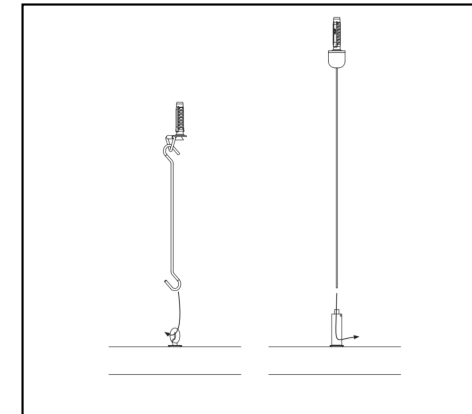


- 2.** Decide where the ceiling islands will hang. Mark out the fixing points on the ceiling.

Tip: Use a laser to mark out straight of the suspension points.



- 3.** Drill holes in the ceiling at the marked positions and insert the dowels. Screw on the D-rings and hang the rigid hangers from this OR Screw on the upper part of the ceiling mount and twist the lower part onto this with the steel cable pulled through.



- 4.** Hang the rigid hangers in the screw eyes OR Push the wire rope through the connector and pull it to the desired distance. By pressing the spring-loaded part, the wire rope can be pulled back.