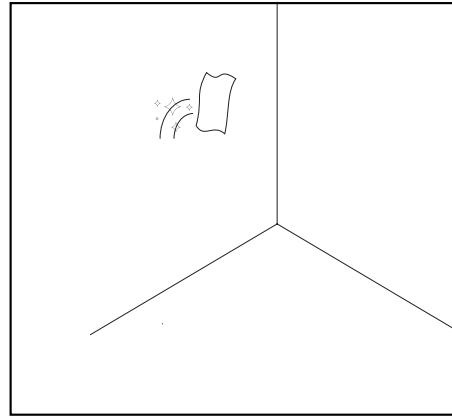


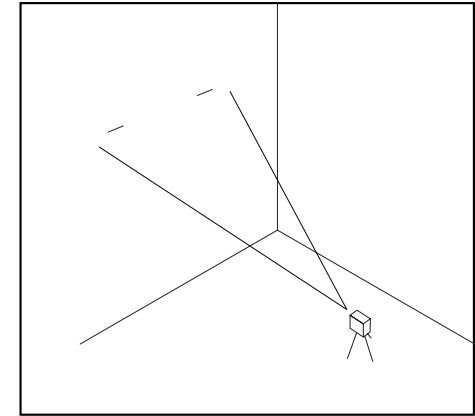


## Installation manual City Map

- The EASYfelt City Map can be installed using two people

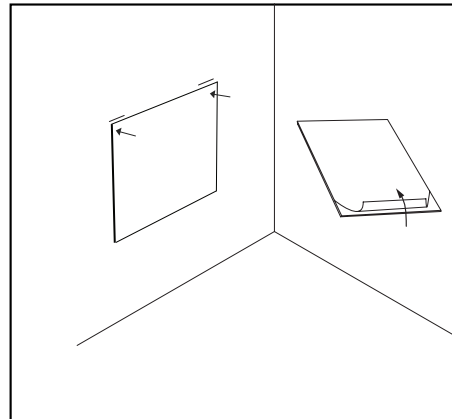


**1.** Clean the surface from any dirt, dust and grease. The sticker will then adhere better to the surface.

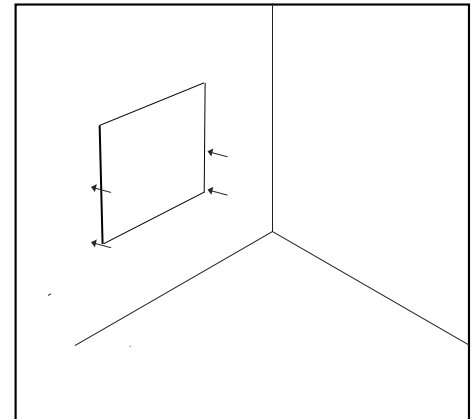


**2.** Using a laser/level and tape measure, draw two lines on the wall for the upper ends of the wall element. Make sure the lines are at the same height.

**Please note!** This will be the top height of the wall element.



**3.** Remove the backing strip from the wall element. Place the wall element diagonally against the wall so that it can be positioned at the two points equal to the horizontal line. Now press the points firmly.



**4.** Now, also press the rest of the wall panel.

**Please note!** Once the wall element is pressed, it can no longer be moved.

**Please note!** Any glued wall element removed will no longer stick. In which case, follow these steps:

- Remove as much tape residue from your wall as possible
- Install the element once again using installation kit