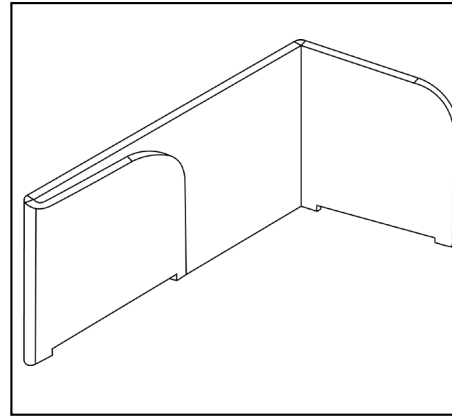


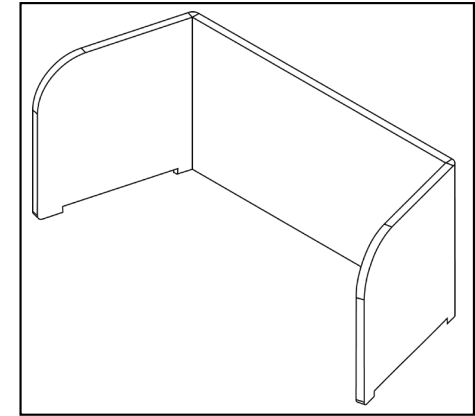


## Manual Desky table screen

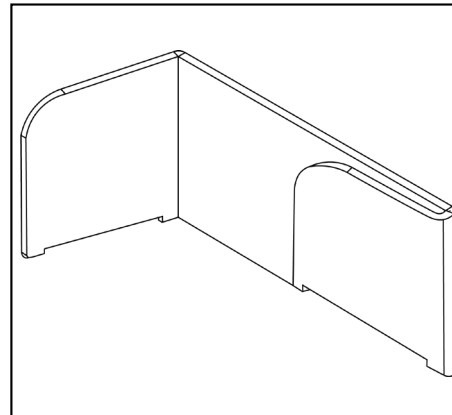
- The application of the table screen is to create a physical and visual separation around a workplace, which can have a positive effect on rest and concentration ability. The Pet felt material has a sound-absorbing effect.



- 1.** Unfold the table screen and place it in a U-shape on the table/desk.



- 2.** The table screen can now be used, under the slots a cord can run from, for example, a charger.



- 3.** In the same way as the screen is unfolded, it can also be folded back for storage.

### Note!

- Take care with sharp objects while unpacking, this may possibly damage the product.
- Always remove stains as soon as possible before they soak into the fibres. Most stains can be removed with lukewarm water, possibly with a pH-neutral detergent (such as most washing-up liquids) without chemical bleaches. Remove stains by dabbing with a clean cloth (do not rub). After cleaning, pat the material dry with a dry cloth to absorb moisture.